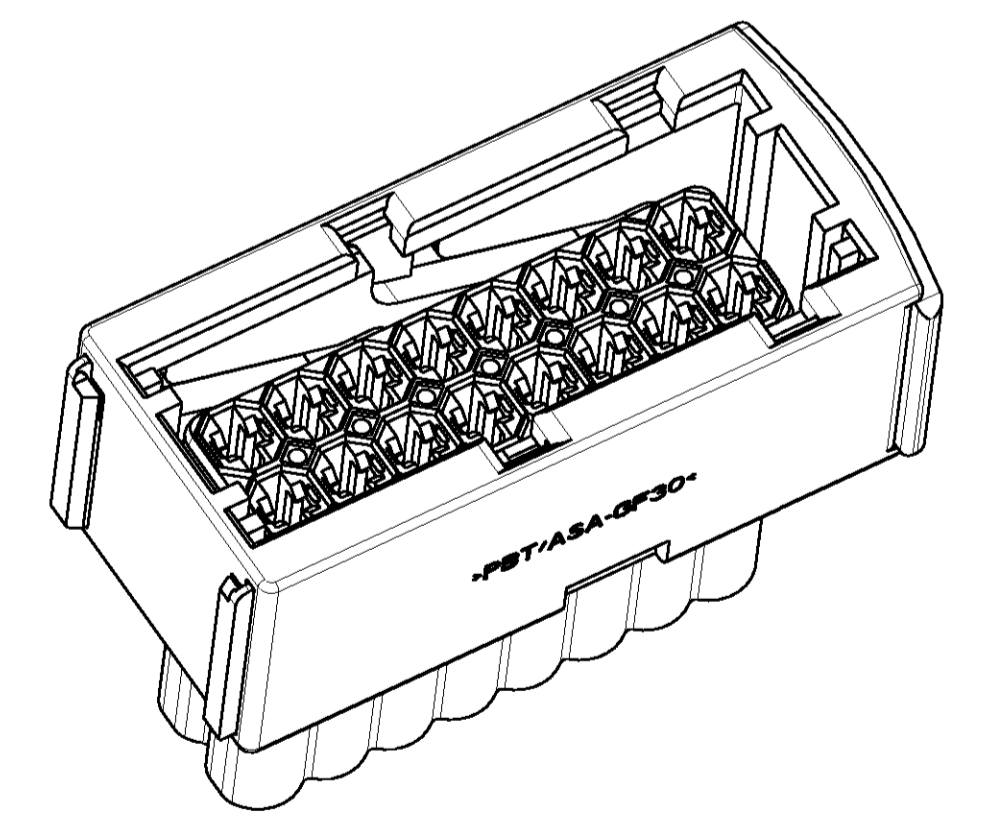
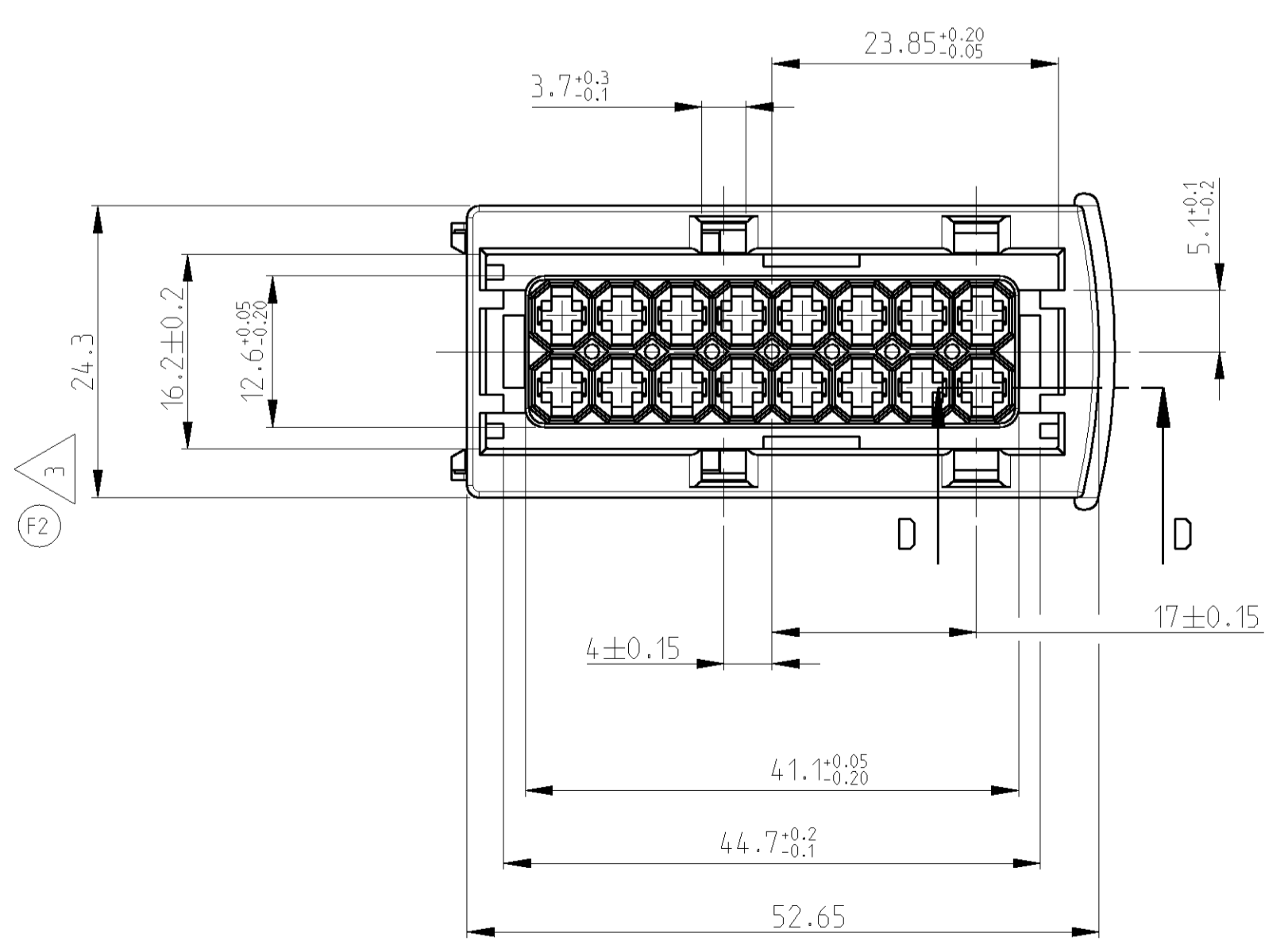


2:1

NOTES :

- 1 Au-VERSION OF CONTACT IS 1-xxxxxx-1
Au-Version des Kontaktes ist 1-xxxxxx-1
- F1 2 WATER TIGHTNESS ACC. GMI 12590; 5.10.3
FURTHER INFORMATIONS SEE PRODUCT SPECIFICATION 108-18102-1/...-9
Wasserdichtheit nach GMI 12590, 5.10.3
Weitere Informationen siehe
Produktspezifikation 108-18102-1/...-9
- 3 Einfall bis auf 23.5mm zulässig
SHRINKAGE UP TO 23.5MM ALLOWED



2:1

JPT	ORDER-NO.	WIRE SIZE [mm ²]	MATERIAL	FINISH	SINGLE WIRE SEAL	COLOR	WATER-TIGHTNESS
JPT	0-0929937-1	1.5 - 2.5	CuFe 2	TINNED	0-0828905-1	WHITE	IPX 9K
JPT	0-0929939-1	0.75 - 1.0	CuFe 2	TINNED	0-0828904-1	LIGHT BLUE	IPX 9K
JPT	0-0929939-1	0.5	CuFe 2	TINNED	0-0963294-1	BLUE	IPX 9K
JPT	0-0929941-1	0.35	CuFe 2	TINNED	0-0963294-1	BLUE	IPX 9K

MATED WITH	PART NO.	REV.	PCS	MATERIAL	COLOR	DESCRIPTION	ITEM NO.
-	-	-	-	-	-	-	-
-	-	-	-	-	-	-	-
-	-	-	-	-	-	-	-
-	-	-	-	-	-	-	-
1-964449-1	1-967242-1	F	1	PBT/ASA-GF30	RED	SLIDE	2
	CODING A1		1	PBT/ASA-GF30	BLACK	JPT HSG., 16POS.	1

DIMENSIONS: mm		TOLERANCES UNLESS OTHERWISE SPECIFIED:		DWG S. GARCIA 27-SEP-1993		CHK A. MACHILL 27-SEP-1993		APVD		NAME	
0 PLC	±	1 PLC	±0.3	PRODUCT SPEC		108-18102		APPLICATION SPEC		JPT Rec.-HOUSING , 16POS., ASSY	
2 PLC	±0.3	3 PLC	±0.3	114-18175		WEIGHT		SIZE		JPT Bu.-Gehäuse, 16pol., Assy	
4 PLC	±	ANGLES		CUSTOMER DRAWING		SCALE		SHEET		REV	
MATERIAL		FINISH		00779		967242		1 OF 1		F3	

